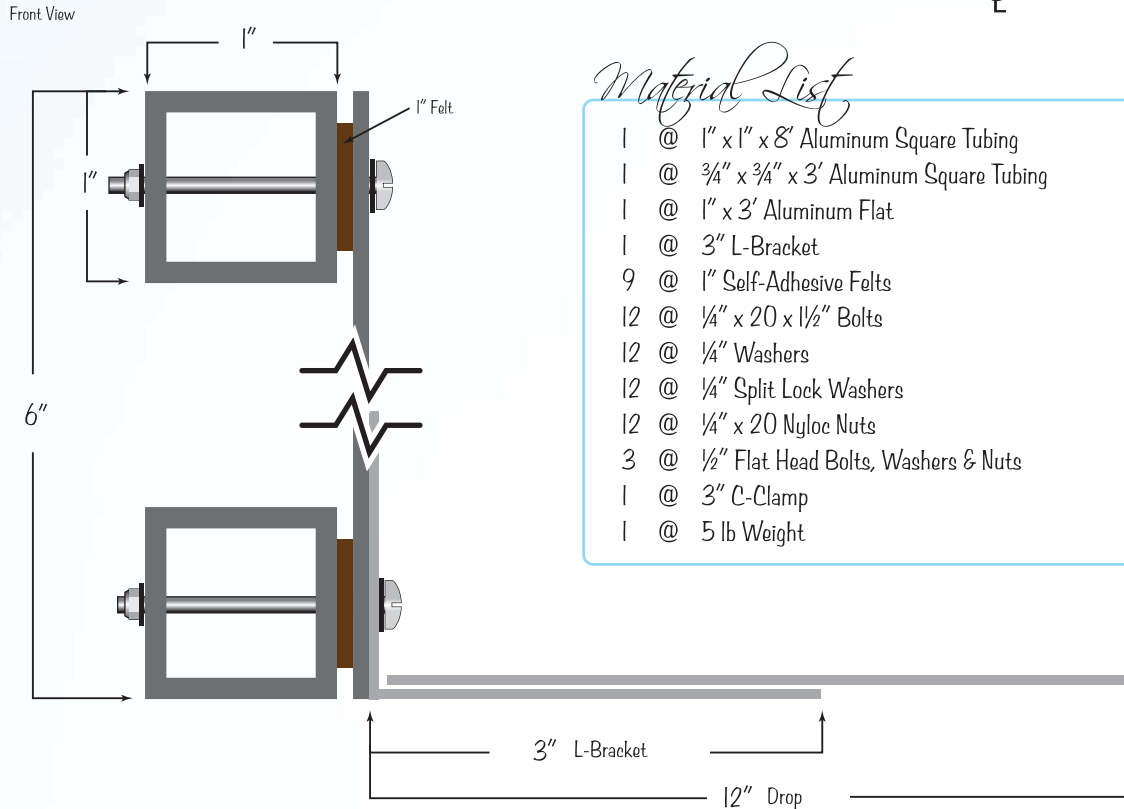
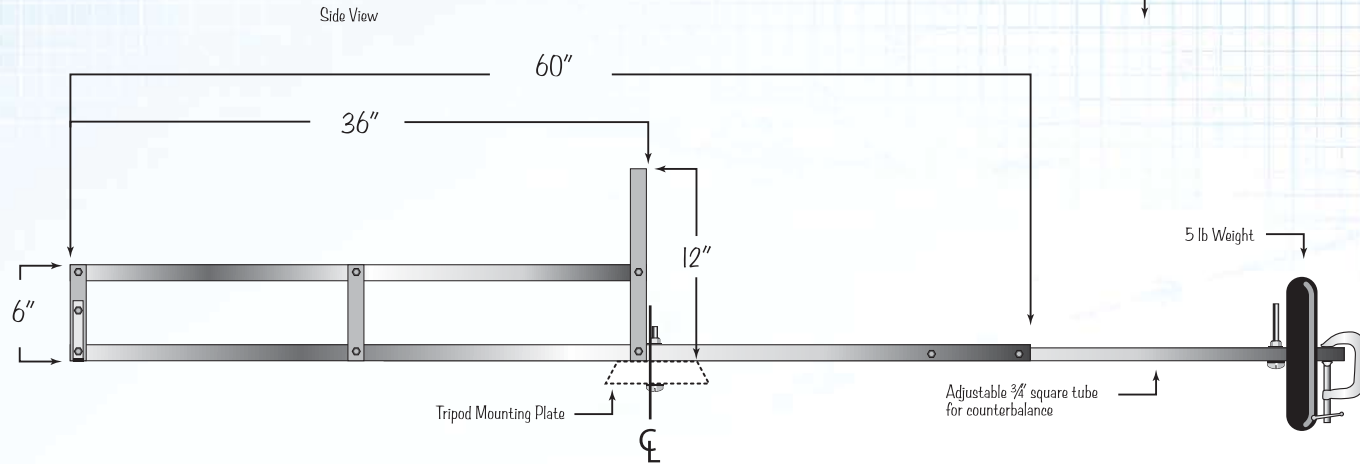


Jib-Boom



Material List

- 1 @ 1" x 1" x 8' Aluminum Square Tubing
- 1 @ 3/4" x 3/4" x 3' Aluminum Square Tubing
- 1 @ 1" x 3' Aluminum Flat
- 1 @ 3" L-Bracket
- 9 @ 1" Self-Adhesive Felts
- 12 @ 1/4" x 20 x 1 1/2" Bolts
- 12 @ 1/4" Washers
- 12 @ 1/4" Split Lock Washers
- 12 @ 1/4" x 20 Nyloc Nuts
- 3 @ 1/2" Flat Head Bolts, Washers & Nuts
- 1 @ 3" C-Clamp
- 1 @ 5 lb Weight

Cut Schedule

- 1 @ 1" x 1" x 5' Aluminum Square Tubing
- 1 @ 1" x 1" x 3' Aluminum Square Tubing
- 1 @ 3/4" x 3/4" x 18" Aluminum Square Tubing
- 2 @ 1" x 6" Aluminum Flat
- 2 @ 1" x 12" Aluminum Flat